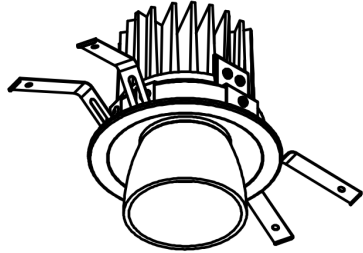
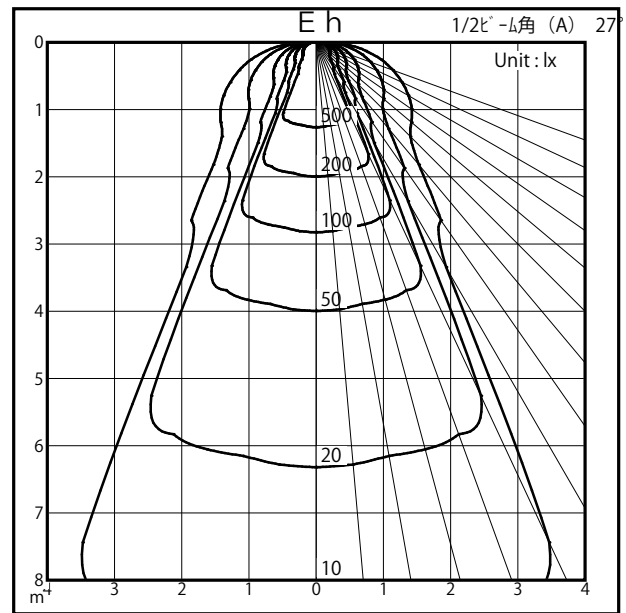
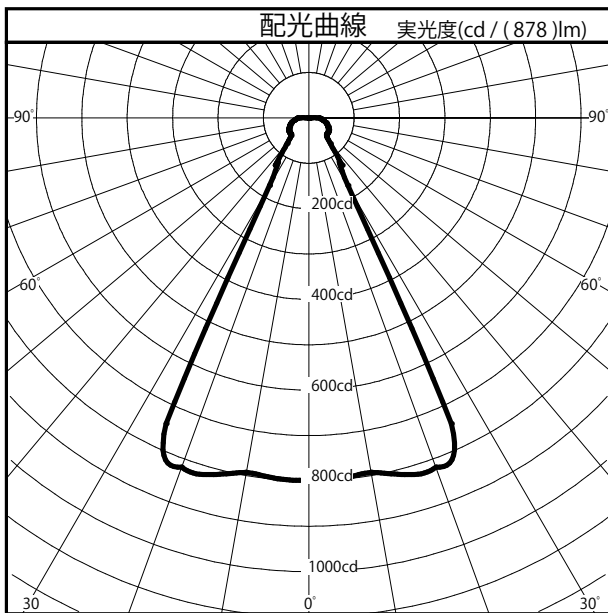




|        |                     |                     |
|--------|---------------------|---------------------|
| 商品番号   | 60JK-39B7-1W        |                     |
| カタログ番号 | J605BW-P            |                     |
| 商品名    | ACCESSORY DOWNLIGHT |                     |
| 器具光束   | 878.0               | lm <sub>1.000</sub> |
| 下方効率   | 99.3 %              |                     |
| 上方効率   | 0.7 %               |                     |
| 最大取付間隔 |                     |                     |
| A 断面   | 1.00 H              |                     |
| C 断面   |                     |                     |
| B 断面   |                     |                     |

|  |      |     |
|--|------|-----|
|  | 角度   | 光度  |
|  | 0°   | 799 |
|  | 10°  | 793 |
|  | 20°  | 819 |
|  | 30°  | 172 |
|  | 40°  | 74  |
|  | 50°  | 53  |
|  | 60°  | 50  |
|  | 70°  | 43  |
|  | 80°  | 33  |
|  | 90°  | 23  |
|  | 100° | 0   |
|  | 110° | 0   |
|  | 120° | 0   |
|  | 130° | 0   |
|  | 140° | 0   |
|  | 150° | 0   |
|  | 160° | 0   |
| 170°   | 0    |     |
| 180°   | 0    |     |



| 照明率表       |       | 平均照度=台数*照明率*保守率*878(光束)/(間口*奥行) |      |      |      |      |      |      |      |      |      |      |      |      |
|------------|-------|---------------------------------|------|------|------|------|------|------|------|------|------|------|------|------|
| 床面反射率 (%)  |       | 20                              |      |      |      |      |      |      |      |      |      |      |      |      |
| 天井面反射率 (%) |       | 80                              |      |      | 60   |      |      | 40   |      |      | 20   |      |      | 0    |
| 壁面反射率 (%)  |       | 50                              | 30   | 10   | 50   | 30   | 10   | 50   | 30   | 10   | 50   | 30   | 10   | 0    |
| 室          | 0.50  | 0.58                            | 0.51 | 0.47 | 0.57 | 0.51 | 0.47 | 0.56 | 0.51 | 0.47 | 0.55 | 0.50 | 0.47 | 0.45 |
|            | 0.70  | 0.68                            | 0.62 | 0.57 | 0.67 | 0.61 | 0.57 | 0.66 | 0.60 | 0.56 | 0.64 | 0.60 | 0.56 | 0.54 |
|            | 1.00  | 0.79                            | 0.72 | 0.67 | 0.77 | 0.71 | 0.67 | 0.75 | 0.70 | 0.66 | 0.73 | 0.69 | 0.65 | 0.63 |
|            | 1.25  | 0.84                            | 0.78 | 0.73 | 0.82 | 0.76 | 0.72 | 0.80 | 0.75 | 0.71 | 0.78 | 0.74 | 0.70 | 0.68 |
|            | 1.50  | 0.89                            | 0.82 | 0.78 | 0.86 | 0.81 | 0.76 | 0.83 | 0.79 | 0.75 | 0.81 | 0.77 | 0.74 | 0.72 |
| 指          | 2.00  | 0.94                            | 0.89 | 0.84 | 0.91 | 0.86 | 0.83 | 0.88 | 0.84 | 0.81 | 0.85 | 0.82 | 0.79 | 0.77 |
|            | 2.50  | 0.98                            | 0.93 | 0.89 | 0.95 | 0.90 | 0.87 | 0.91 | 0.88 | 0.85 | 0.88 | 0.85 | 0.83 | 0.80 |
|            | 3.00  | 1.01                            | 0.96 | 0.92 | 0.97 | 0.93 | 0.90 | 0.93 | 0.90 | 0.88 | 0.90 | 0.88 | 0.85 | 0.82 |
|            | 4.00  | 1.05                            | 1.01 | 0.97 | 1.01 | 0.97 | 0.94 | 0.97 | 0.94 | 0.92 | 0.93 | 0.91 | 0.89 | 0.86 |
|            | 5.00  | 1.07                            | 1.04 | 1.01 | 1.03 | 1.00 | 0.97 | 0.99 | 0.96 | 0.94 | 0.95 | 0.93 | 0.91 | 0.88 |
| 数          | 7.00  | 1.10                            | 1.07 | 1.05 | 1.05 | 1.03 | 1.01 | 1.01 | 0.99 | 0.98 | 0.97 | 0.96 | 0.94 | 0.91 |
|            | 10.00 | 1.12                            | 1.10 | 1.08 | 1.07 | 1.06 | 1.04 | 1.03 | 1.02 | 1.00 | 0.99 | 0.98 | 0.97 | 0.93 |