

**Luminaire**

Code M273620  
 Name EVERYTHING 80 QUADRATO TRIM FISSO LED 3000K SPOT CORNICE BIANCO / DEFL. METALLIZZATO

**Measur.**

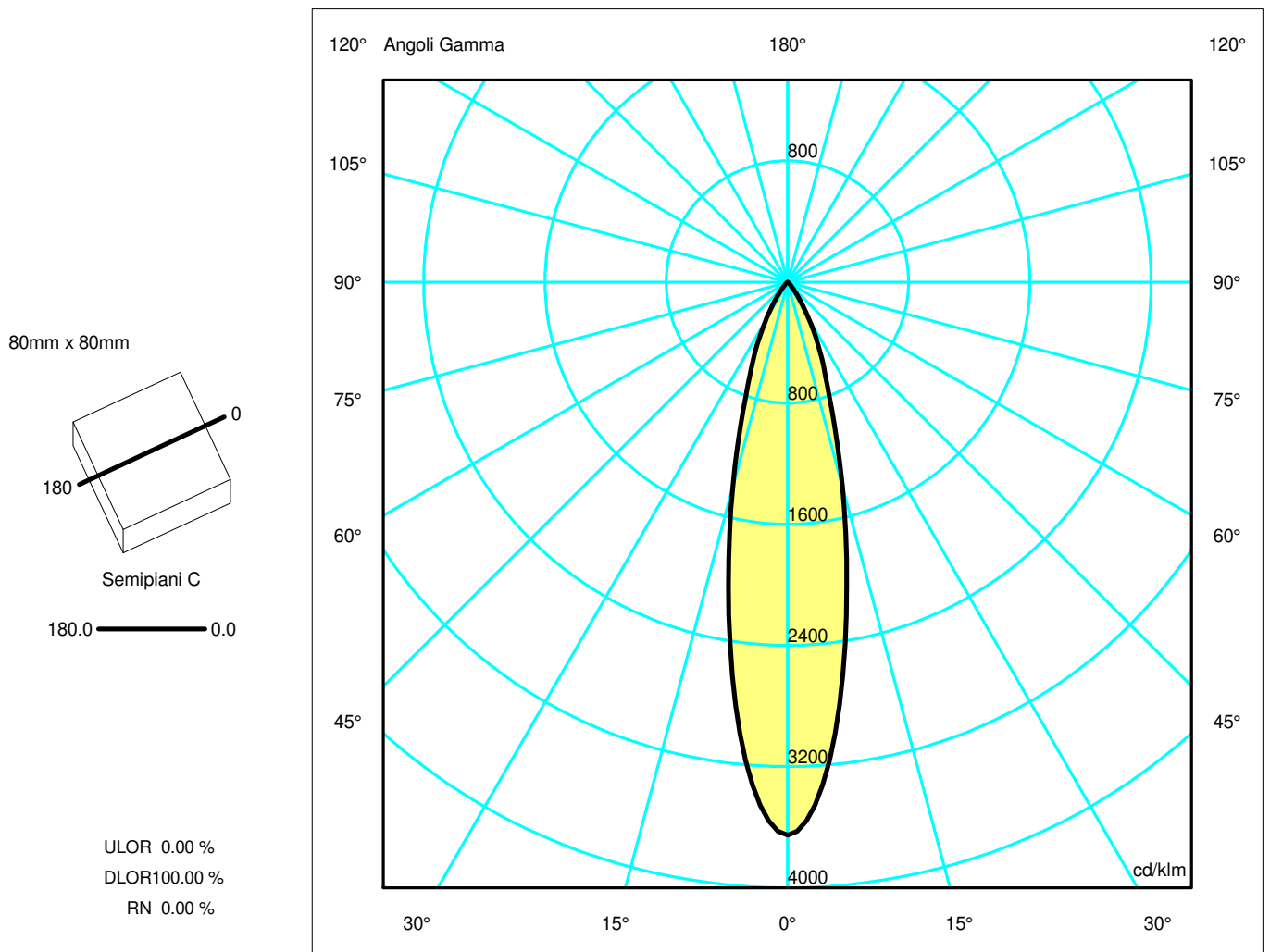
Code FTS1602191  
 Name EVERYTHING 80 QUADRATO TRIM FISSO LED 3000K SPOT CORNICE BIANCO / DEFL. METALLIZZATO

Luminaire Flux	1084.20 lm	Luminaire Power	13.00 W	Efficacy	83.40 lm/W	Efficiency	100.00%
Lamps Flux	1084.20 lm	Maximum value	3651.00 cd/klm	Position	C=0.00 G=0.00	CG	Rotosymmetrical
Rectangular Luminaire Round Luminous Area	Length Diam.	80 mm 50 mm	Width Height	80 mm 0 mm	Height	115 mm	
Horizontal Luminous Area Emitting area on Plane 0° Emitting area on Plane 90°	0.001963 m2 0.000000 m2 0.000000 m2	Emitting area on Plane 180° Emitting area on Plane 270° Glare area at 76°	0.000000 m2 0.000000 m2 0.000475 m2				
Coordinate system	CG	Symmetry Type	Rotosymmetrical				
Date	08-04-2015	Maximum Gamma Angle	90				
Measurement Distance	0.00	Measurement Flux	1084.20 lm				

LED Flux=1390lm LED Power=13W Eff=78% EfcLed=107lm/W EfcLum=83lm/W Ra=90 SDCM=3 L70(6K)=50000h

C.I.E. 99 100 100 100 100  
 F UTE --

D DIN 5040  
 B NBN  
 A60  
 BZ 1



## Luminaire

Code M273620  
Name EVERYTHING 80 QUADRATO TRIM FISSO LED 3000K SPOT CORNICE BIANCO / DEFL. METALLIZZATO

## Measurerm.

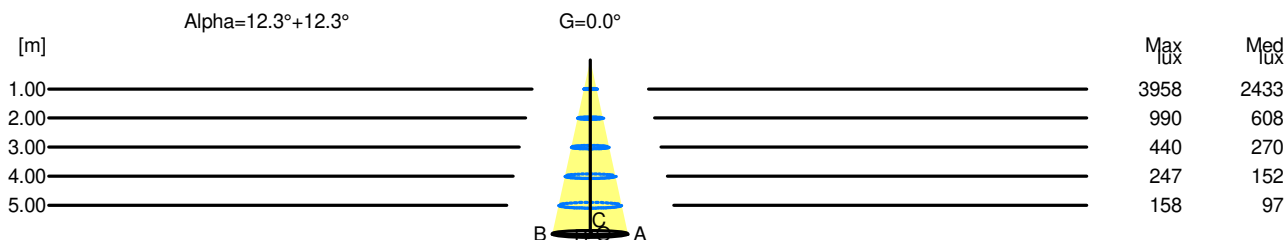
Code FTS1602191  
Name EVERYTHING 80 QUADRATO TRIM FISSO LED 3000K SPOT CORNICE BIANCO / DEFL. METALLIZZATO

Luminaire Flux	1084.20 lm	Luminaire Power	13.00 W	Efficacy	83.40 lm/W	Efficiency	100.00%
Lamps Flux	1084.20 lm	Maximum value	3651.00 cd/klm	Position	C=0.00 G=0.00	CG	Rotosymmetrical
Rectangular Luminaire Round Luminous Area		Length Diam.	80 mm 50 mm	Width Height	80 mm 0 mm	Height	115 mm
Horizontal Luminous Area		0.001963 m2		Emitting area on Plane 180°		0.000000 m2	
Emitting area on Plane 0°		0.000000 m2		Emitting area on Plane 270°		0.000000 m2	
Emitting area on Plane 90°		0.000000 m2		Glare area at 76°		0.000475 m2	
Coordinate system		CG		Symmetry Type		Rotosymmetrical	
Date		08-04-2015		Maximum Gamma Angle		90	
Measurement Distance		0.00		Measurement Flux		1084.20 lm	
LED Flux=1390lm LED Power=13W Eff=78% EfcLed=107lm/W EfcLum=83lm/W Ra=90 SDCM=3 L70(6K)=50000h							
C.I.E.	99	100	100	100	100	D DIN 5040	A60
F UTE	--					B NBN	BZ 1

### Width at 50.00 % of Max Intensity

H[m]	1.00	2.00	3.00	4.00	5.00	H[m]	1.00	2.00	3.00	4.00	5.00
OA	0.22	0.44	0.65	0.87	1.09	OC	0.22	0.44	0.65	0.87	1.09
OB	0.22	0.44	0.65	0.87	1.09	OD	0.22	0.44	0.65	0.87	1.09

	Luminous Intensities [ cd/klm]									
	0	5	15	25	35	45	55	65	75	85
OA	3958.42	3439.33	1516.02	550.30	146.73	25.64	0.44	0.00	0.00	0.00
OB	3958.42	3439.33	1516.02	550.30	146.73	25.64	0.44	0.00	0.00	0.00
OC	3958.42	3439.33	1516.02	550.30	146.73	25.64	0.44	0.00	0.00	0.00
OD	3958.42	3439.33	1516.02	550.30	146.73	25.64	0.44	0.00	0.00	0.00



H[m]	D[m]	Max lux	Med lux	Alpha=12.3°+12.3°	G=0.0
1.00	0.44	3958	2433		
2.00	0.87	990	608		
3.00	1.31	440	270		
4.00	1.74	247	152		
5.00	2.18	158	97		