

Luminaire

Code M254020
 Name EVERYTHING 80 QUADRATO TRIM FISSO LED 3000K SPOT CORNICE BIANCO / DEFL. NERO

Measur.

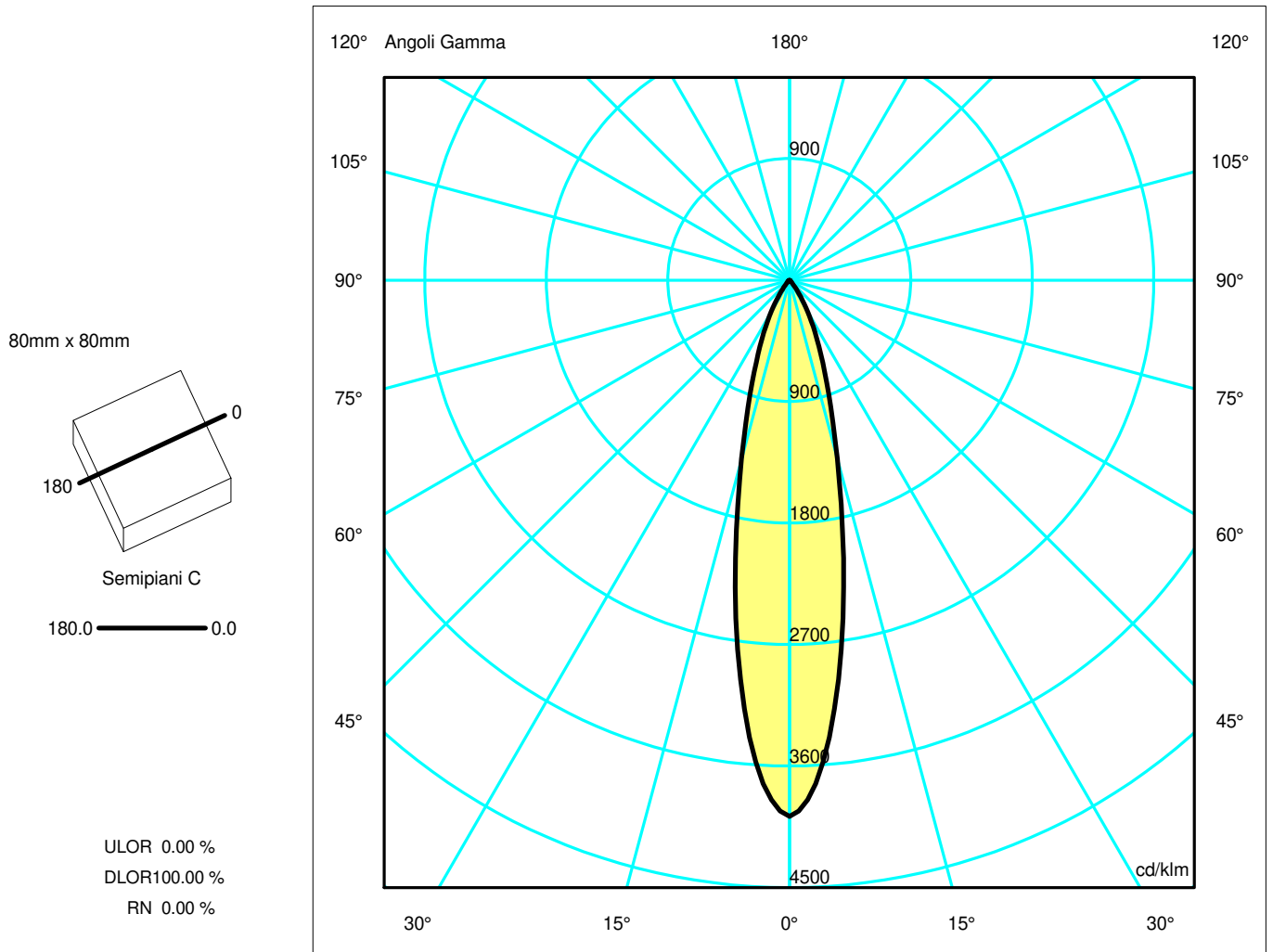
Code FTS1602195
 Name EVERYTHING 80 QUADRATO TRIM FISSO LED 3000K SPOT CORNICE BIANCO / DEFL. NERO

Luminaire Flux	850.68 lm	Luminaire Power	13.00 W	Efficacy	65.44 lm/W	Efficiency	100.00%
Lamps Flux	850.68 lm	Maximum value	3972.52 cd/klm	Position	C=0.00 G=0.00	CG	Rotosymmetrical
Rectangular Luminaire Round Luminous Area	Length Diam.	80 mm 50 mm	Width Height	80 mm 0 mm	Height	115 mm	
Horizontal Luminous Area Emitting area on Plane 0° Emitting area on Plane 90°	0.001963 m2 0.000000 m2 0.000000 m2	Emitting area on Plane 180° Emitting area on Plane 270° Glare area at 76°	0.000000 m2 0.000000 m2 0.000475 m2				
Coordinate system Date Measurement Distance	CG 30-06-2015 0.00	Symmetry Type Maximum Gamma Angle Measurement Flux	Rotosymmetrical 90 850.68 lm				

LED Flux=1390lm LED Power=13W Eff=61,2% EfcLed=107lm/W EfcLum=65lm/W Ra=90 SDCM=3 L70(6K)=50000h

C.I.E. 99 100 100 100 100
 F UTE --

D DIN 5040
 B NBN
 A60
 BZ 1



Luminaire

Code M254020
Name EVERYTHING 80 QUADRATO TRIM FISSO LED 3000K SPOT CORNICE BIANCO / DEFL. NERO

Measurement

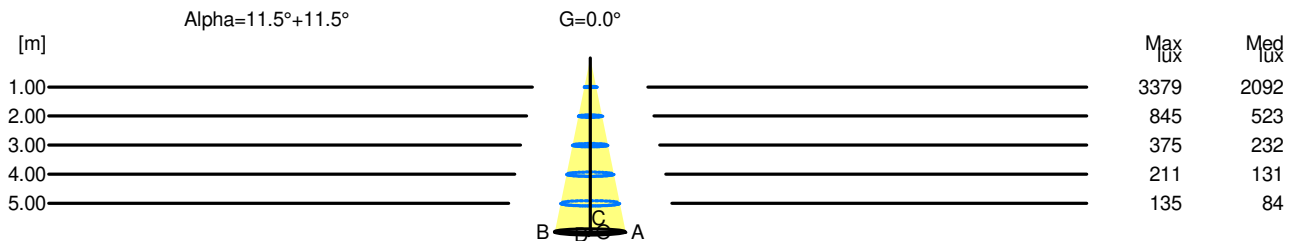
Code FTS1602195
Name EVERYTHING 80 QUADRATO TRIM FISSO LED 3000K SPOT CORNICE BIANCO / DEFL. NERO

Luminaire Flux	850.68 lm	Luminaire Power	13.00 W	Efficacy	65.44 lm/W	Efficiency	100.00%
Lamps Flux	850.68 lm	Maximum value	3972.52 cd/klm	Position	C=0.00 G=0.00	CG	Rotosymmetrical
Rectangular Luminaire Round Luminous Area		Length Diam.	80 mm 50 mm	Width Height	80 mm 0 mm	Height	115 mm
Horizontal Luminous Area		0.001963 m2		Emitting area on Plane 180°		0.000000 m2	
Emitting area on Plane 0°		0.000000 m2		Emitting area on Plane 270°		0.000000 m2	
Emitting area on Plane 90°		0.000000 m2		Glare area at 76°		0.000475 m2	
Coordinate system		CG		Symmetry Type		Rotosymmetrical	
Date		30-06-2015		Maximum Gamma Angle		90	
Measurement Distance		0.00		Measurement Flux		850.68 lm	
LED Flux=1390lm LED Power=13W Eff=61,2% EfcLed=107lm/W EfcLum=65lm/W Ra=90 SDCM=3 L70(6K)=50000h							
C.I.E.	99	100	100	100	100	D DIN 5040	A60
F UTE	--					B NBN	BZ 1

Width at 50.00 % of Max Intensity

H[m]	1.00	2.00	3.00	4.00	5.00	H[m]	1.00	2.00	3.00	4.00	5.00
OA	0.20	0.41	0.61	0.82	1.02	OC	0.20	0.41	0.61	0.82	1.02
OB	0.20	0.41	0.61	0.82	1.02	OD	0.20	0.41	0.61	0.82	1.02

	Luminous Intensities [cd/klm]									
	0	5	15	25	35	45	55	65	75	85
OA	3379.34	2891.67	1165.94	410.31	105.10	15.89	2.60	0.61	0.34	0.11
OB	3379.34	2891.67	1165.94	410.31	105.10	15.89	2.60	0.61	0.34	0.11
OC	3379.34	2891.67	1165.94	410.31	105.10	15.89	2.60	0.61	0.34	0.11
OD	3379.34	2891.67	1165.94	410.31	105.10	15.89	2.60	0.61	0.34	0.11



H[m]	D[m]	Max lux	Med lux	Alpha=11.5°+11.5°	G=0.0
1.00	0.41	3379	2092		
2.00	0.82	845	523		
3.00	1.22	375	232		
4.00	1.63	211	131		
5.00	2.04	135	84		