

Luminaire

Code M330520
 Name EVERYTHING 80 QUADRATO TRIM FISSO LED 2700K SPOT CORNICE BIANCO / DEFL. METALLIZZATO

Measur.

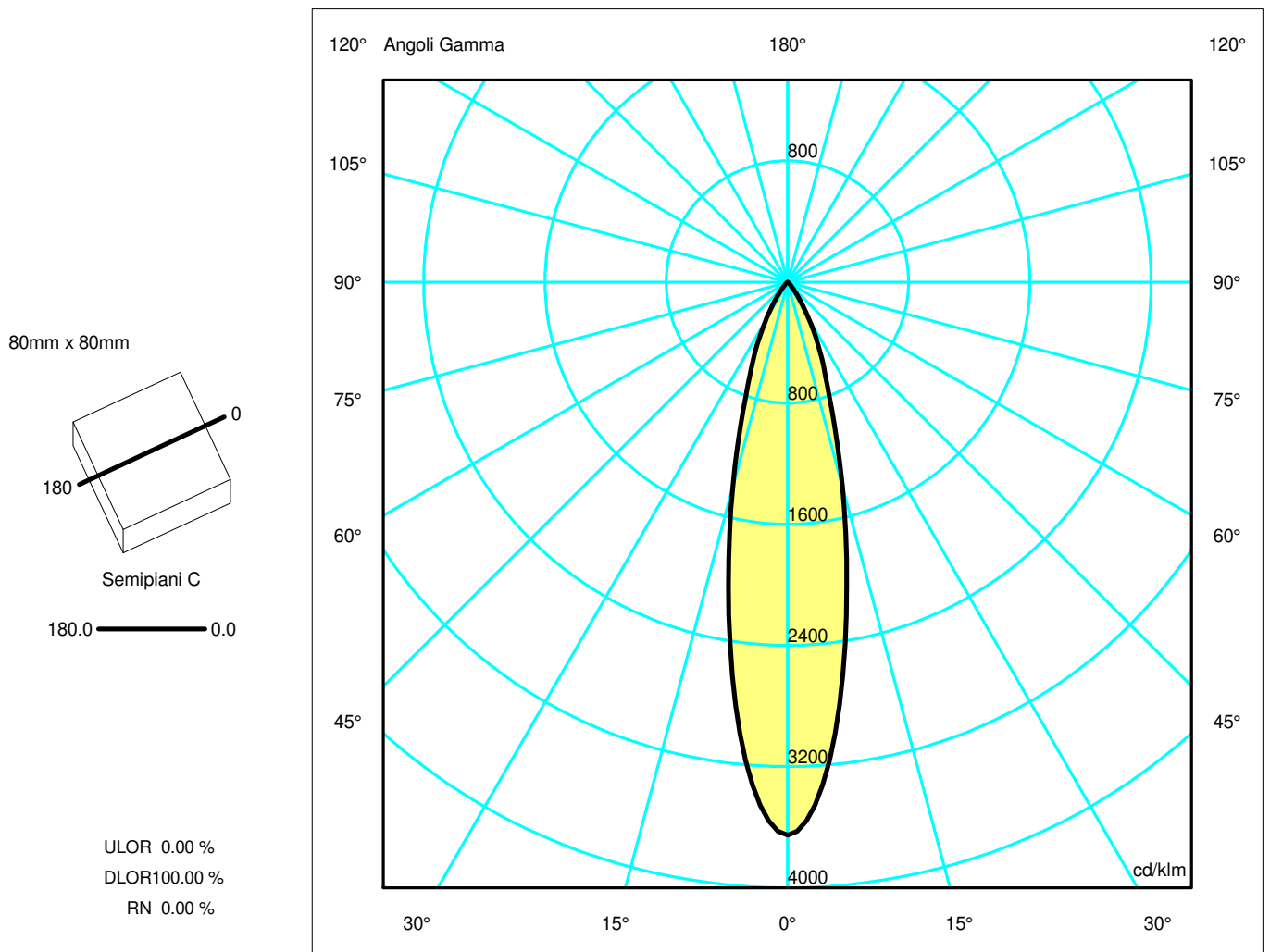
Code FTS1602712
 Name EVERYTHING 80 QUADRATO TRIM FISSO LED 2700K SPOT CORNICE BIANCO / DEFL. METALLIZZATO

Luminaire Flux	1037.40 lm	Luminaire Power	13.00 W	Efficacy	79.80 lm/W	Efficiency	100.00%
Lamps Flux	1037.40 lm	Maximum value	3651.00 cd/klm	Position	C=0.00 G=0.00	CG	Rotosymmetrical
Rectangular Luminaire Round Luminous Area	Length Diam.	80 mm 50 mm	Width Height	80 mm 0 mm	Height	115 mm	
Horizontal Luminous Area Emitting area on Plane 0° Emitting area on Plane 90°	0.001963 m2 0.000000 m2 0.000000 m2	Emitting area on Plane 180° Emitting area on Plane 270° Glare area at 76°	0.000000 m2 0.000000 m2 0.000475 m2				
Coordinate system Date Measurement Distance	CG 08-04-2015 0.00	Symmetry Type Maximum Gamma Angle Measurement Flux	Rotosymmetrical 90 1037.40 lm				

LED Flux=1330lm LED Power=13W Eff=78% EfcLed=102lm/W EfcLum=80lm/W Ra=90 SDCM=3 L70(6K)=50000h

C.I.E. 99 100 100 100 100
 F UTE --

D DIN 5040
 B NBN
 A60
 BZ 1



Luminaire

Code M330520
Name EVERYTHING 80 QUADRATO TRIM FISSO LED 2700K SPOT CORNICE BIANCO / DEFL. METALLIZZATO

Measurerm.

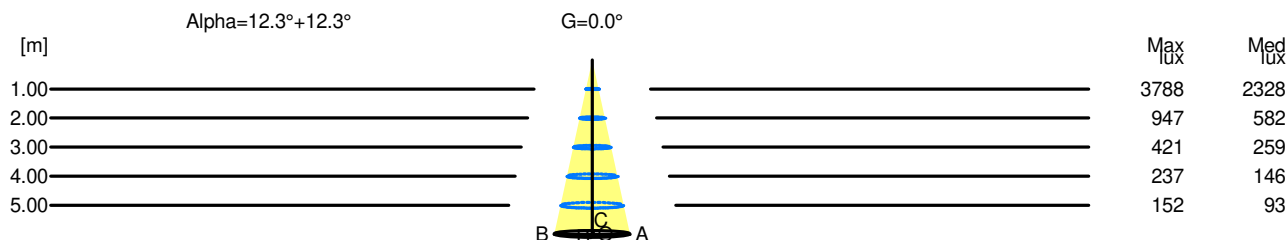
Code FTS1602712
Name EVERYTHING 80 QUADRATO TRIM FISSO LED 2700K SPOT CORNICE BIANCO / DEFL. METALLIZZATO

Luminaire Flux	1037.40 lm	Luminaire Power	13.00 W	Efficacy	79.80 lm/W	Efficiency	100.00%
Lamps Flux	1037.40 lm	Maximum value	3651.00 cd/klm	Position	C=0.00 G=0.00	CG	Rotosymmetrical
Rectangular Luminaire Round Luminous Area		Length Diam.	80 mm 50 mm	Width Height	80 mm 0 mm	Height	115 mm
Horizontal Luminous Area Emitting area on Plane 0° Emitting area on Plane 90°		0.001963 m2 0.000000 m2 0.000000 m2		Emitting area on Plane 180° Emitting area on Plane 270° Glare area at 76°		0.000000 m2 0.000000 m2 0.000475 m2	
Coordinate system Date Measurement Distance		CG 08-04-2015 0.00		Symmetry Type Maximum Gamma Angle Measurement Flux		Rotosymmetrical 90 1037.40 lm	
LED Flux=1330lm LED Power=13W Eff=78% EfcLed=102lm/W EfcLum=80lm/W Ra=90 SDCM=3 L70(6K)=50000h							
C.I.E. F UTE	99 100 100 100 100 --			D DIN 5040 B NBN	A60 BZ 1		

Width at 50.00 % of Max Intensity

H[m]	1.00	2.00	3.00	4.00	5.00	H[m]	1.00	2.00	3.00	4.00	5.00
OA	0.22	0.44	0.65	0.87	1.09	OC	0.22	0.44	0.65	0.87	1.09
OB	0.22	0.44	0.65	0.87	1.09	OD	0.22	0.44	0.65	0.87	1.09

	Luminous Intensities [cd/klm]									
	0	5	15	25	35	45	55	65	75	85
OA	3787.55	3290.87	1450.58	526.54	140.40	24.54	0.42	0.00	0.00	0.00
OB	3787.55	3290.87	1450.58	526.54	140.40	24.54	0.42	0.00	0.00	0.00
OC	3787.55	3290.87	1450.58	526.54	140.40	24.54	0.42	0.00	0.00	0.00
OD	3787.55	3290.87	1450.58	526.54	140.40	24.54	0.42	0.00	0.00	0.00



H[m]	D[m]	Max lux	Med lux	Alpha=12.3°+12.3°	G=0.0
1.00	0.44	3788	2328		
2.00	0.87	947	582		
3.00	1.31	421	259		
4.00	1.74	237	146		
5.00	2.18	152	93		